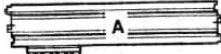

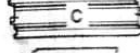
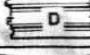



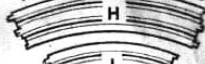










AURORA[®] AFX[®] LAYOUT SHEET

PETER BROCK'S BATHURST 1000™

No. 5512

YOUR SET CONTAINS:

QTY	ITEM
1	 15" Terminal Track
7	 15" Straight Track
5	 9" Straight Track
4	 6" Straight Track
2	 9" Crossover Track
3	 3" Straight Track
2	 9" 1/4 Radius Curve
3	 15" 1/8 Radius Curve
4	 9" 1/8 Radius Curve
19	 6" 1/8 Radius Curve
10	 Low Bridgebeams
5	 High Bridgebeams
23	 Guard Rails
2	 Controllers
2	 AFX Turbo Cars
1	 240V - 16V Power Pack

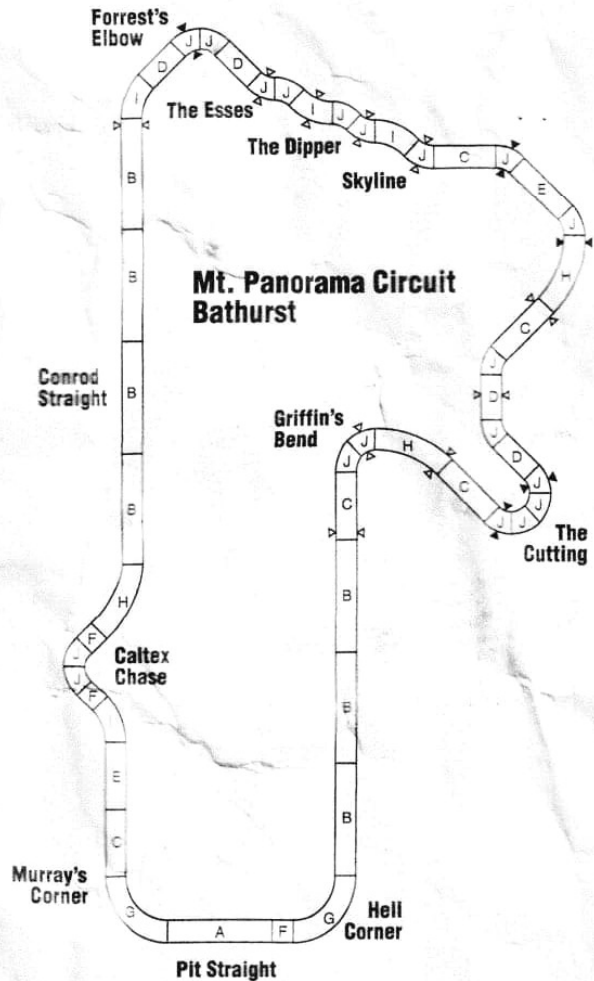
Also included: Track Cleaning Pad, 2 Pick-Up Shoes, 2 Springs

For alternate track layouts and your FREE Aurora AFX catalogue, write to: Aurora AFX Club, c/o Toy Traders P.O. Box 232, Lidcombe, N.S.W. 2141, Australia

TOMY[®]

© Tomy. Manufactured for Toy Traders Pty. Ltd. P.O. Box 232, Lidcombe, N.S.W. 2141, Australia

PETER BROCK'S BATHURST 1000™



KEY

-  Low Bridgebeam
-  High Bridgebeam

Attach guard rails to the outside of each curve section by placing the guard rail tab under the track, then snapping up into place