

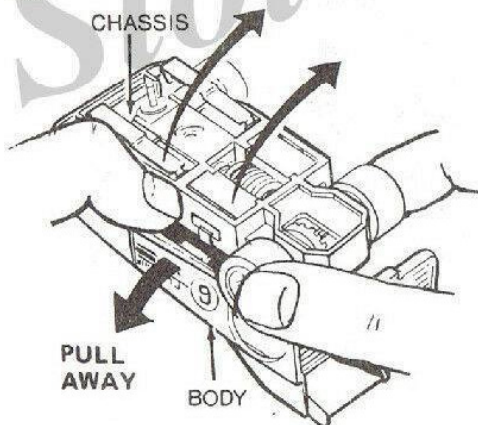
SPECIAL INSTRUCTIONS FOR 6 WHEEL ELF "BONUS BODY"

When replacing one of the standard G-PLUS® bodies with the special 6 wheel Elf body (Included as an extra bonus) you must first remove front wheels from one of your G-PLUS® cars as explained below.



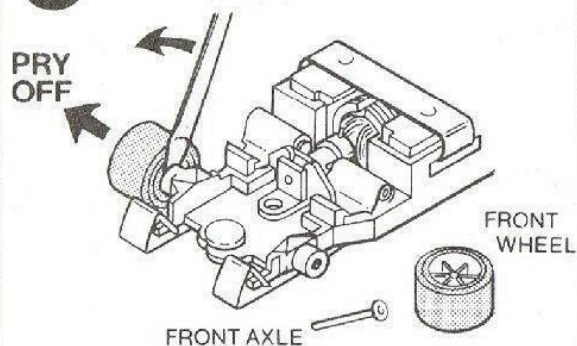
6 WHEEL
ELF BODY

A REMOVE STANDARD BODY



To remove BODY hold the rear wheels firmly and gently pull one side of body away until it clears the SLOT on side of CHASSIS.

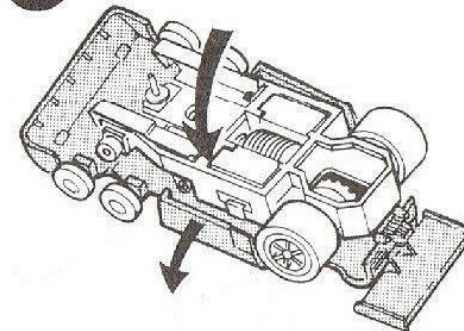
B REMOVE FRONT WHEELS



Remove front wheels by first inserting small screwdriver between chassis and wheel. Then carefully pry wheels off.

NOTE: BE SURE TO KEEP FRONT AXLES AND WHEELS IN SAFE PLACE FOR USE AGAIN WITH OTHER BODY STYLES.

C ATTACH ELF BODY



Attach ELF body to Chassis by inserting one side in first (Body TAB must fit into Chassis SLOT.) Then pull opposite side of Body away and push Chassis down until it snaps in place.

NOTE: 6 Wheel ELF body can only be attached to a G-PLUS chassis without side TABS.