












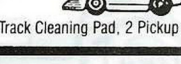



AURORA[®] AFX[®] LAYOUT SHEET

THUNDERLOOP THRILLER[™]

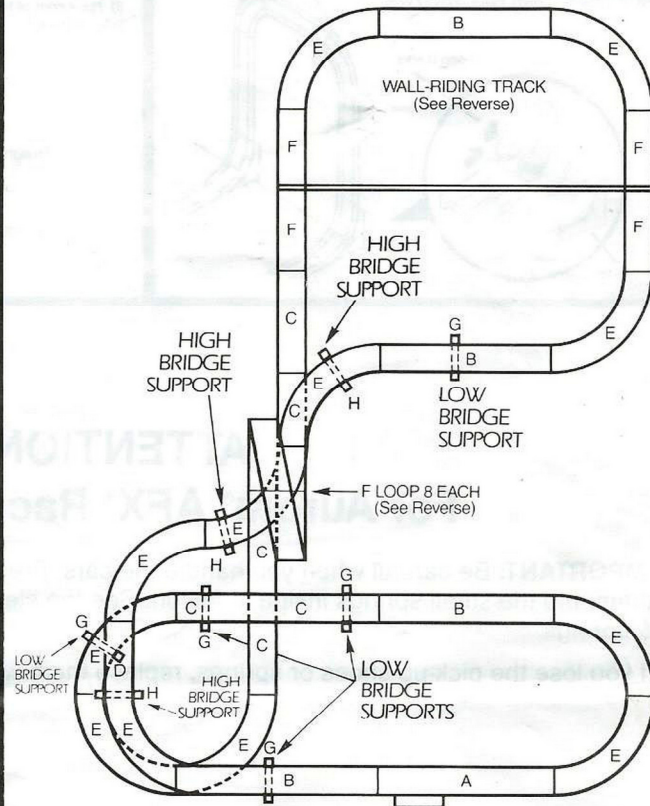
No. 8610

YOUR SET CONTAINS:

QTY.	ITEM	ITEM
7		15" Terminal Track
4		15" Straight Track
6		9" Straight Track
1		6" Straight Track
12		9" (1/4) Curve Track
12		1/8 Loop Track
5		Low Bridge Support
3		High Bridge Support
2		2-Pc. Loop Cradle
1		Loop Clamp
12		Guard Rail
1		22-Volt Power Pack
2		Controller
1		Firebird
1		300 ZX

Also included: Track Cleaning Pad, 2 Pickup Shoes, 2 Springs.

THUNDERLOOP THRILLER[™] TRI-LEVEL

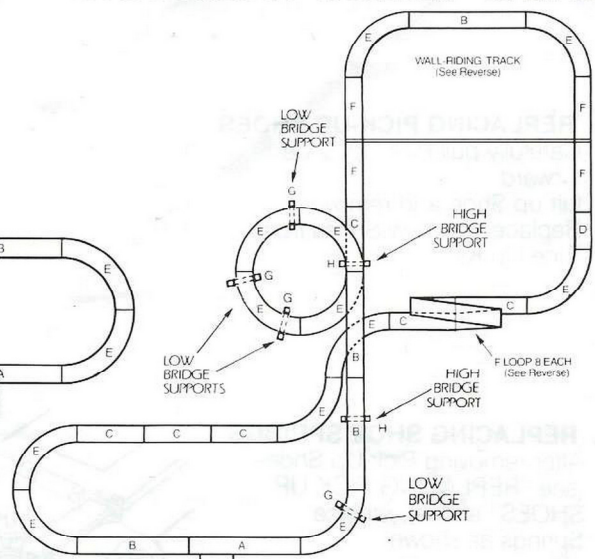
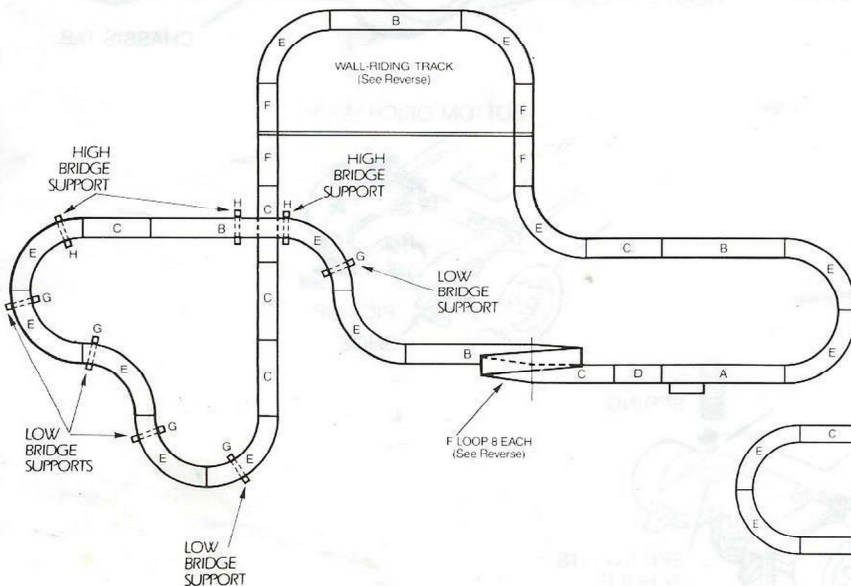


ALTERNATE TRACK LAYOUTS

See reverse for assembly of Wall-Riding Track and Loop

THUNDERLOOP THRILLER[™] DOGLEG

THUNDERLOOP THRILLER[™] SPIRAL



THUNDERBOLT

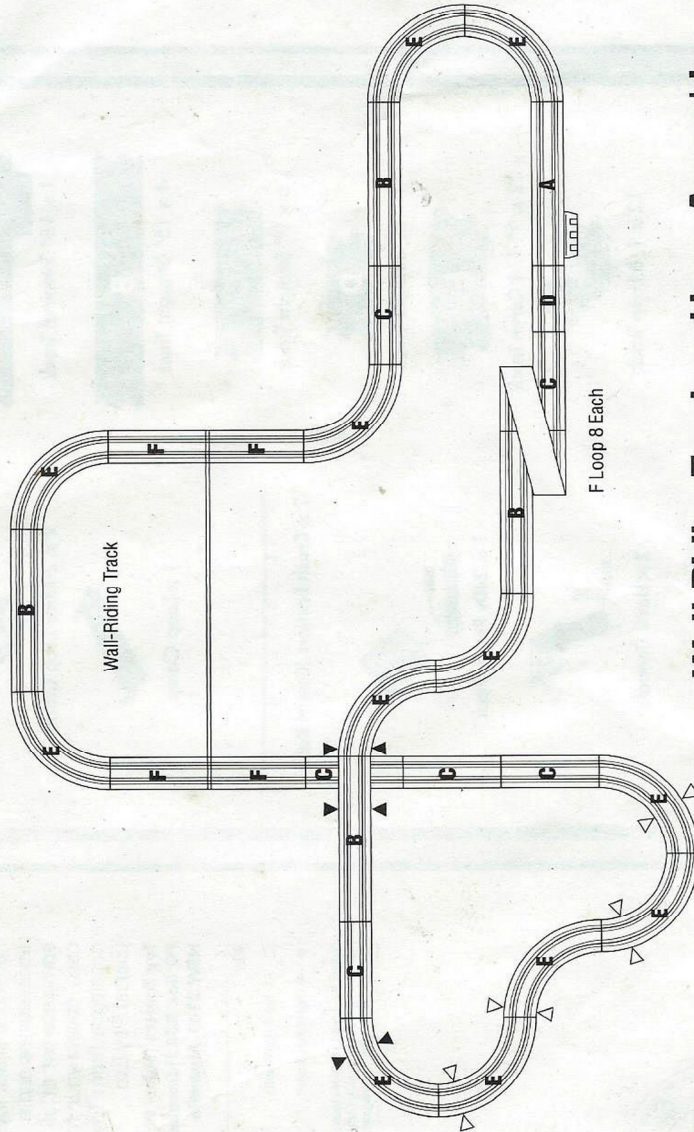
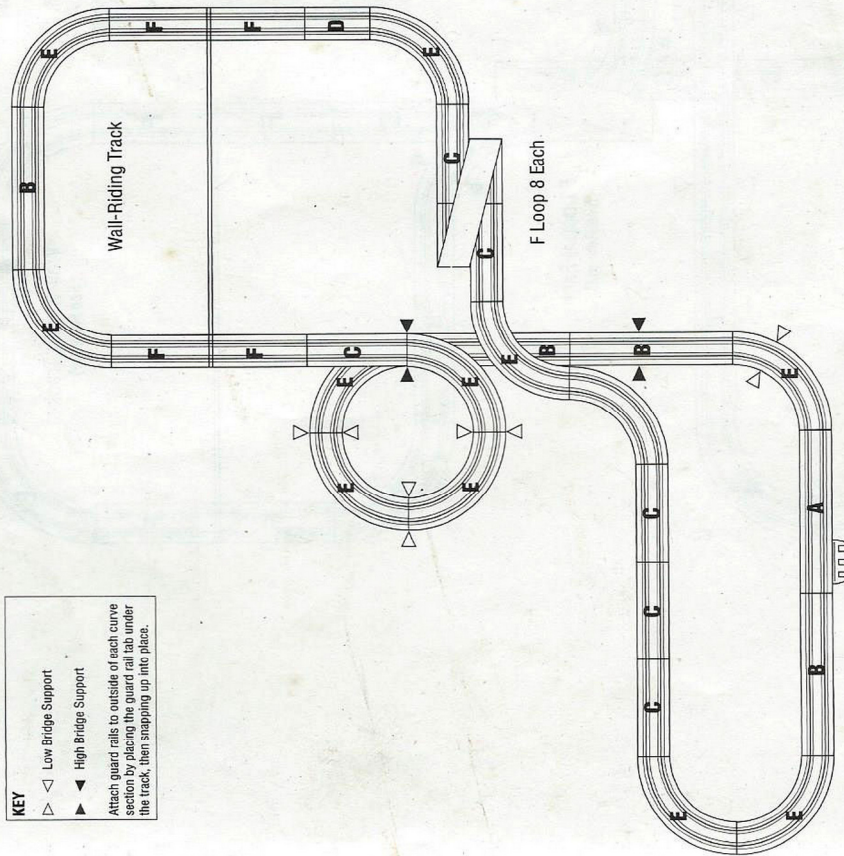
THRILLER

Alternate Track Layouts

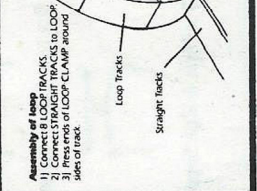
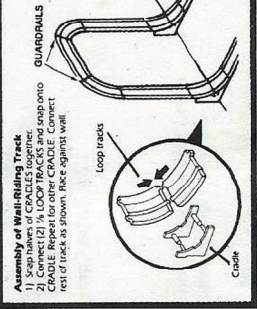
KEY

- ▽ Low Bridge Support
- ▲ High Bridge Support

Attach guard rails to outside of each curve section by placing the guard rail tab under the track, then snapping up into place.



Wall-Riding Track and Loop Assembly



Assembly of Loop

- 1) Connect 8 LOOP TRACKS
- 2) Strap them into CRADLE
- 3) Press ends of LOOP CLAMP around sides of track.

Assembly of Wall-Riding Track

- 1) Strap halves of CPALLES together.
- 2) Strap them into CRADLE.
- 3) Attach CRADLE to rest of track as shown. Place against wall.