

CAUTION-ELECTRICALLY OPERATED PRODUCT:

NOT RECOMMENDED FOR CHILDREN UNDER 8 YEARS OF AGE. AS WITH ALL ELECTRIC PRODUCTS CERTAIN PRECAUTIONS SHOULD BE OBSERVED DURING HANDLING AND USE TO PREVENT ELECTRICAL SHOCK—AS YOU WOULD USUALLY DO WITH ANY ELECTRICAL HOUSEHOLD PRODUCT DURING ITS USE; PERIODICALLY EXAMINE TRANSFORMER AND WIRING, TO DETERMINE IF ANY DAMAGE HAS OCCURRED OR ANY HAZARD EXISTS. ALL SUCH CONDITIONS SHOULD BE CORRECTED IMMEDIATELY.

#1442—100 INPUT: 120VAC ONLY 60 HZ
(AFX—Wall Pak) OUTPUT: 4.8VA DC 14.0 V.D.C. MAX.

#1442—200 INPUT: 120VAC ONLY 60 HZ
(AFX—Wall Pak) OUTPUT: 4.0VA DC 14.0 V.D.C. MAX.



RICHARD PETTY JACKIE STEWART A.J. FOYT

HI, RACERS! LET'S READ THROUGH THE FOLLOWING ASSEMBLY STEPS WITH THE HELP OF RICHARD PETTY, AND PLEASE ALLOW ENOUGH TIME TO PROPERLY ASSEMBLE YOUR SET SO WE CAN BEGIN RACING.

AURORA® AFX® INSTRUCTION SHEET 2106²

NOTE: YOUR TRACK SET MUST NEVER BE ASSEMBLED OR OPERATED ON A CARPET SURFACE.

1 FIRST, SEPARATE AND STACK ALL YOUR TRACK ACCORDING TO SIZE SHOWN ON BOTTOM OF TRACK.

1-15" Terminal Track
14-9" 1/4 Curve
3-9" Straight
1-9" Lap Counter
3-15" Straight

- 2-Short Supports
- 5-Tall Supports
- 12-Guard Rails
- 1-Eraser
- 2-Billboards
- 1-Pit Garage
- 1-Victory Lane
- 1-Grandstand
- 2-Pylons
- 1-Quikee-Lok
- 1-Racing Oil
- 4-Track Clips
- 1-Shut-Off Markers
- 2-G-Plus Cars
- 2-Russkit Controllers
- 1-Wall-Pak

2 NEXT, CLEAN ALL METAL RAILS WITH YOUR RAIL CLEANER AND REMOVE ANY PARTICLES WITH A CLEAN CLOTH.

METAL Rails
Eraser

NOW INSPECT RAIL TABS FOR PROPER POSITION AS SHOWN. RAIL TABS MUST TOUCH FROM ONE TRACK TO THE OTHER.

TOP VIEW

3 MOLDED GUARD RAIL ASSEMBLY

Your one piece Molded Guard Rail is designed to snap right on outside edge of the 9" Curved Tracks. Place the Guard Rail on edge of the track as shown and press up on the POST until it snaps in place.

Overlap
Guard Rail
Track
Direction of Cars

4A PLUG IN YOUR CONTROLLERS AND WALL-PAK MATCHING COLORED PLUGS TO COLORS ON TERMINAL TRACK. NOW PLUG WALL-PAK INTO WALL OUTLET.

Wall-Pak
Controllers
Terminal Track

4B SQUEEZE TRIGGER ON SAME CONTROLLER I'M HOLDING. PLACE GUIDE PIN OF CAR IN SLOT ON OUTSIDE LANE WITH REAR WHEELS OFF TRACK. WHEELS SHOULD SPIN SHOWING FULL POWER. - REPEAT TEST WITH CAR ON OTHER LANE, USING SECOND CONTROLLER.

Rear Wheels Should Spin
Place Guide Pin in Slot
Outside Lane

5 FIRST ASSEMBLE LAP COUNTER AS SHOWN ON REVERSE SIDE.

STARTING WITH YOUR TERMINAL TRACK, COMPLETELY ASSEMBLE YOUR TRACK LAYOUT USING THE QUIKEE-LOK KEY. - CONTINUE CHECKING EACH TRACK FOR POWER AS IN STEP (4B). DO NOT ATTACH SUPPORTS UNTIL STEP 6!

Quikee Lok Key
TWIST TO LOCK
TWIST TO UNLOCK

No. 2106-142

Guard Rail
Short Support
Tall Support
Billboards
Tall Support + Support Top
15" Terminal Track
9" Lap Counter
Track
Label
Shut-Off Marker
Guard Rails
Guard Rails
Grandstand
Pylons
Pit Garage
Victory Lane
Shut-Off Markers
Guard Rails

TRACK CODE
A = 9" 1/4 Curve
B = 9" Straight
C = 15" Straight

DIRECTION OF CARS →

6 NOW ASSEMBLE YOUR TRACK SUPPORTS TOGETHER.

Support Top
Tall Leg
Short Leg
SHORT SUPPORT
TALL SUPPORT

ATTACH THE SUPPORTS TO UNDERSIDE OF YOUR TRACKS WHERE SHOWN ON LAYOUT ABOVE.

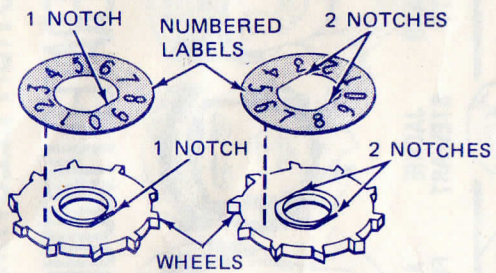
This End On First
Push Up
Short Support

7 NOW PLACE YOUR CARS ON TERMINAL TRACK WITH GUIDE PINS IN SLOTS AND LET'S START RACING - CLEAN TRACKS FREQUENTLY DURING USE.

IMPORTANT NOTE: Please allow a short break-in period for your cars before they operate at peak performance

FOR DETAILED DRAWINGS AND INSTRUCTIONS ON ASSEMBLING YOUR SET, REFER TO TECHNICAL AFX MANUAL. SHOULD YOU RUN INTO OPERATING DIFFICULTIES REFER TO THE TROUBLE SHOOTING CHART ON PAGE 6 IN YOUR MANUAL.

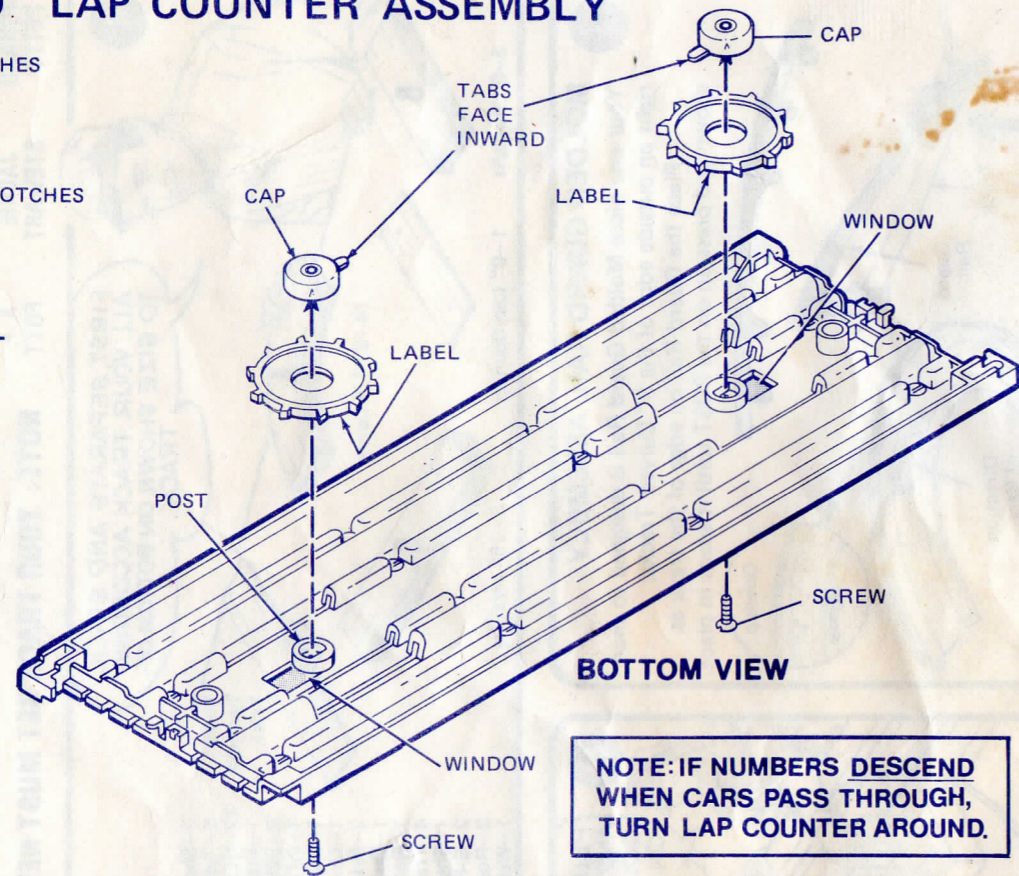
9" LAP COUNTER ASSEMBLY



- Peel numbered LABELS from LABEL sheet. Remove and discard centers.
- Apply LABELS to *flat side* of WHEELS by matching NOTCHES on LABELS to NOTCHES on WHEELS as shown above.
- Place WHEELS (numbers facing down) to bottom of track and fit CAPS over POSTS.
- Hold WHEELS and CAPS in place and drive screws through holes on *TOP* of Tracks. Tighten screws just enough to allow wheels to turn freely.

ADJUSTMENT INSTRUCTIONS

- If cars stop or slow down when traveling through LAP COUNTER loosen screws counter-clockwise.
- If numbers skip when cars travel through LAP COUNTER tighten screws clockwise.



2106

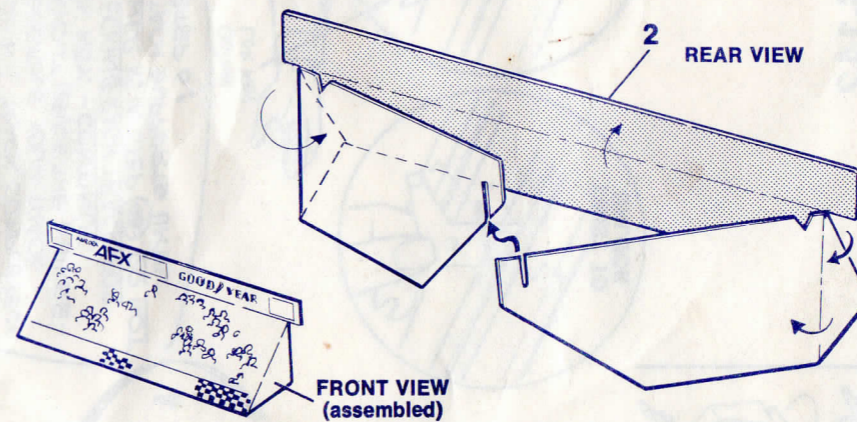


ACCESSORY ASSEMBLY INSTRUCTIONS

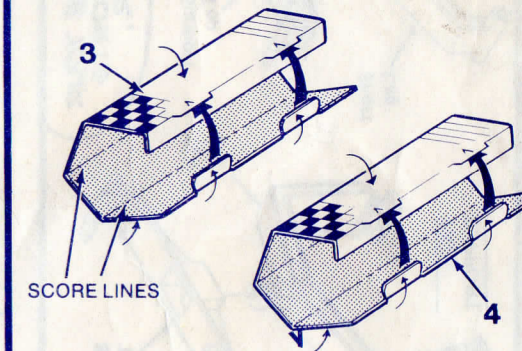
FOR GRANDSTAND, START/FINISH PYLONS, PIT STOP GARAGE and VICTORY LANE

• PREFOLD ALL CARDBOARD PIECES ALONG SCORELINES •

GRANDSTAND (piece marked #2)

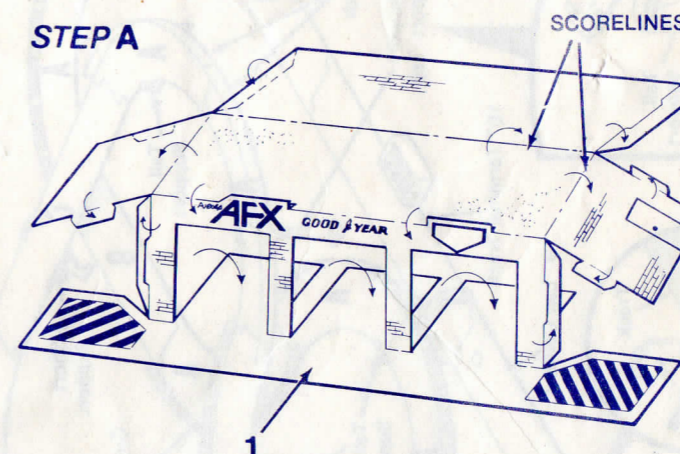


START and FINISH PYLONS (LARGE) (pieces marked 3,4)

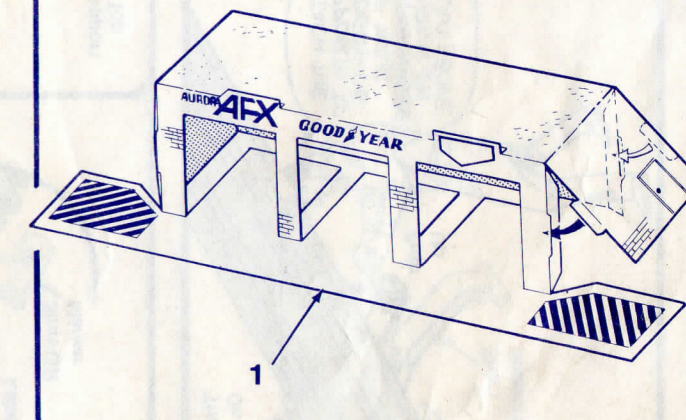


PIT STOP GARAGE (piece marked #1)

STEP A



STEP B



VICTORY LANE (pieces marked 5, 5A)

